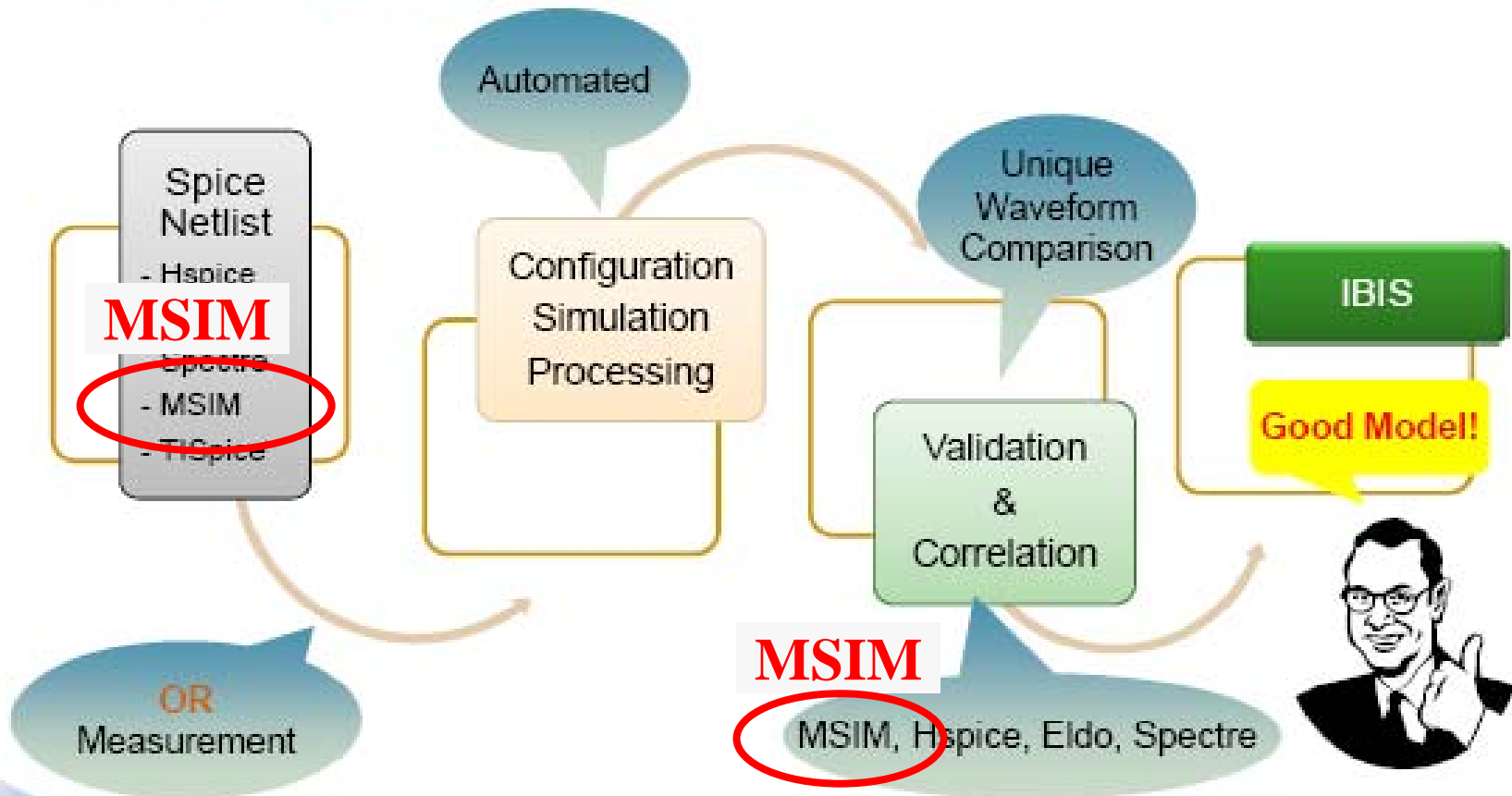


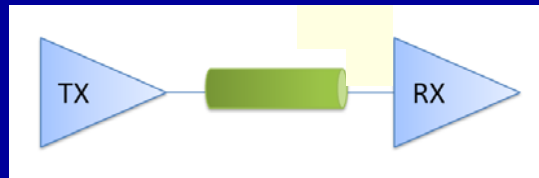
SimDE™ MODEL IBIS Extraction & Validation Flow



IBIS Models

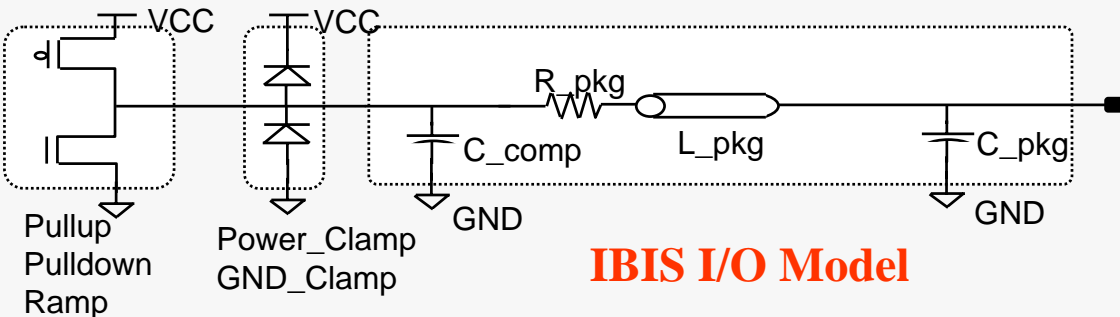
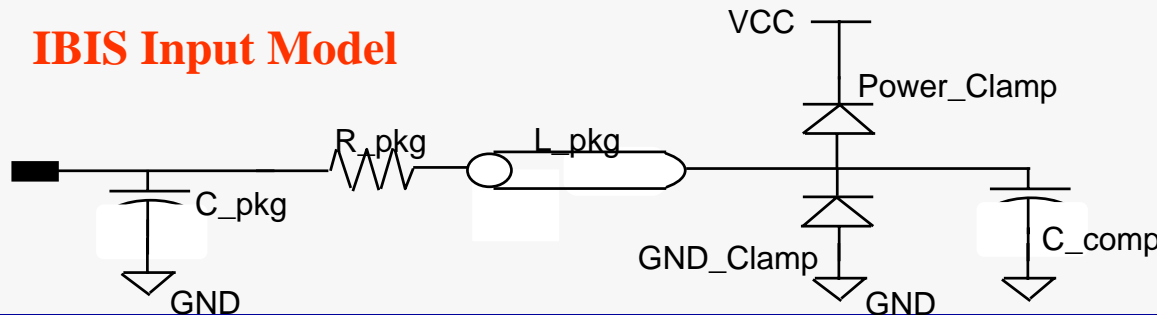
Need Characterization & Validation

Output Buffer



Input Buffer

IBIS Input Model



IBIS I/O Model

MSIM[®] Certifications

- ◆ MSIM certified by TSMC's Spice Tool Qualification Program

<http://www.legenddesign.com/BW/021009.shtml>

- ◆ JEITA (Japan Electric and Information Technology Industries Association) has qualified MSIM-PCB for simulating IBIS models in PCB designs. Those results can be downloaded from JEITA web:

<https://ec.jeita.or.jp/ibis/>